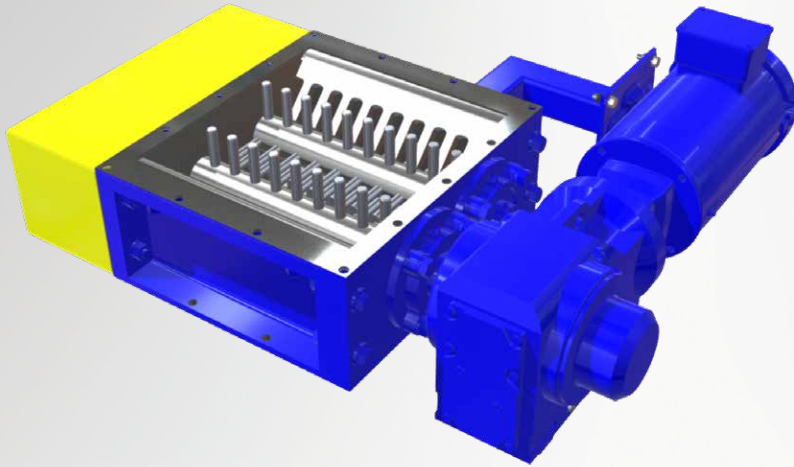


Piece Breaker Flex

Flexing our muscles with compacted bulk materials

The Piece Breaker Flex is a heavy duty lump breaker valve. With its dual rotor design, this valve reduces agglomerated lumps quickly and easily. The result is improved material flow for efficient processing and enhanced product quality.



SECTOR INDUSTRIES:



Plastics



Pet Food



Construction



Food



Pharmaceutical and Cosmetics



Chemical

FEATURES

- Reduces oversize particles without degradation to product
- Dual-shaft configuration
- Speedy in-line compact arrangement
- Heavy-duty robust construction
- Available in mild steel or stainless steel construction
- Reduce material size
- Improve product flow

FEATURES

- Reduce maintenance
- Efficient material processing
- Enhance the quality of the product
- Greater energy efficiency
- Direct coupled drive

OPTIONS

- Options for washdown or explosion-proof applications are available

SPECIFICATIONS:

INLET/OUTLET FLANGE SIZES:

12" x 12", 18" x 18", and 24" x 24"

MATERIAL OF CONSTRUCTION:

Mild Steel or Stainless Steel