



Rotary Valve Selector Guide

ACS VALVES

2024

ACS
VALVES

Table of Contents

Product	Page
AN-X Series Valve	3
CI Series	4
CI Series with Quick-Clean RotorRail™	6
Sanitary CI Series with Quick-Clean RotorRail™	8
XTR-CI Series	10
MD Series	11
MD Series with Quick-Clean RotorRail™	13
Sanitary MD Series with Quick-Clean RotorRail™	15
XTR-MD Series	17
12" Multi-Port Series	18
DR-S Series	19
Aero-Flow™ Series	21
DC Series	22
S-Pellet Series	24

Product	Page
S-Pellet Series with Quick-Clean RotorRail™	26
BT Series	28
SD Series	30
FT Series	32
DTFV Series (Discharge Trough Feeder Valve)	34
Gravity Diverter Valve Y-style Series	36
CI-RPV Series	38
Mini 19 Series	40
Double-Flap Valve Series	41
CDC-CI Series	42
Sanitary CDC-CI Series	44
Micro-ingredient Valve	46
Iris Gravity Valve	50

AN-X Series Valve



Dust Collector Valve for airlock applications

The AN-X Valve is an NFPA compliant dust collector valve for any application. Complete with steel rotor tips and outboard bearings, this valve is great for easy, drop-in replacements for FT or AN dust collection valves.

SECTOR INDUSTRIES:



FEATURES

- Mild Steel construction
- Rotor with steel rotor tips
- Heavy-duty construction
- Direct-drive operation
- Tight internal clearances
- ACST-4™ glandless Teflon® shaft seal

BENEFITS

- NFPA compliant
- Steel tips
- Outboard bearings
- Easy drop-in replacements

VALVE ROTARY VALVE CAPACITY (CUBIC FEET/HOUR)

8"	0.64
10"	1.34
12"	2.46

Capacities shown are based on 100% pocket-fill efficiency. Pocket-fill efficiencies vary by application. To ensure optimal efficiency, contact ACS Valves.

SPECIFICATIONS:

INLET/OUTLET
FLANGE SIZES:

3 sizes from 8", 10", 12"

MATERIAL OF
CONSTRUCTION:

Mild Steel,
Stainless Steel

PRESSURE
DIFFERENTIAL:

Up to 15" psi

HIGH TEMPERATURE
RANGE:

500°F

CI Series

Rotary Valve for Metering, Feeding and Airlock Applications

The CI Series rotary valves are also available in sanitary 304 or 316 cast stainless steel models. Sanitary CI Series models also offer the ACS RotorRail™ quick-clean feature.



SECTOR INDUSTRIES:



Plastics



Pet Food



Construction



Food



Pharmaceutical and Cosmetics



Chemical

FEATURES

- Available in 11 heights, from 10"H to 44"H; and 11 square-flange sizes from 6" to 26".
- Valve housing cast in North America; ensures superior strength and solidification of housing's metallurgy.
- CNC-machined components and housing provide precision tolerances; eliminates axial shaft movement, extends maintenance cycles.
- Outboard bearing design protects bearings in high-temperature and high-PSIG applications; removes bearings from direct path of damaging contaminants.

- Easily manages pressure differentials up to 15 PSIG; with super-duty series up to 22 PSIG.
- Excellent performance in high-temperature applications up to 750°F.
- 8-vane rotor with beveled tips and sides.

UNIFORM FEED OPTION

Staggered Rotor Pocket

- 16 offset pockets ensure a continuous and uniform flow rate to the conveying line
- More accurate rate of material flow

SPECIFICATIONS:

INLET/OUTLET FLANGE SIZES:

11 sizes from 6" to 26"

MATERIAL OF CONSTRUCTION:

Cast Iron, Stainless Steel

PRESSURE DIFFERENTIAL:

Up to 20 PSIG

HIGH TEMPERATURE RANGE:

750°F

CI Series

Rotary Valve for Metering, Feeding and Airlock Applications



OPTIONS

- | | |
|--|--|
| <ul style="list-style-type: none"> • 304, 304L, 316, 316L, or 2205 cast stainless steel valve housing. | <ul style="list-style-type: none"> • Shaft seal types: ACST-4™ glandless Teflon® shaft seal, and packing gland. |
| <ul style="list-style-type: none"> • No. 4 finish on internal product contact surfaces of housing, and all rotor surfaces. | <ul style="list-style-type: none"> • Valve housing vent ports. |
| <ul style="list-style-type: none"> • Interior coatings: hard chrome, tungsten, nickel, and epoxy. | <ul style="list-style-type: none"> • Shaft seal and rotor pocket air purge. |
| <ul style="list-style-type: none"> • Rotor types: closed-end, metering, shallow-pocket, adjustable-tip, and Teflon®-coated. | <ul style="list-style-type: none"> • 6-vane, 10-vane, or 12-vane rotor. |
| <ul style="list-style-type: none"> • Adjustable rotor tip types: EPDM rubber, polyurethane, mild steel, AR400 steel, stainless steel, and bronze. | <ul style="list-style-type: none"> • Custom drive packages. |
| | <ul style="list-style-type: none"> • Application-specific accessories: blow-through adapter, shear plate deflector, surge hopper, motion speed switch assembly. |

ROTARY VALVE CAPACITY (cubic feet/hour)

VALVE SIZE (INCHES)	6	6	30	48	60	72	84	96	108	120	132
	8	12	60	96	120	144	168	192	216	240	264
	10	24	120	192	240	288	336	384	432	480	528
	12	45	225	360	450	540	630	720	810	900	990
	14	66	330	528	660	792	924	1056	1188	1320	1452
	16	84	420	672	840	1008	1176	1344	1512	1680	1848
	16T	120	600	960	1200	1440	1680	1920	2160	2400	2640
	18	162	810	1296	1620	1944	2268	2592	2916	3240	3564
	22	276	1380	2208	2760	3312	3864	4416	4968	5520	6072
	24	384	1920	3072	3840	4608	5376	6144	6912	7680	8448
26	540	2700	4320	5400	6480	7560	8640	9720	10800	11880	
	1	5	8	10	12	14	16	18	20	22	
ROTARY SPEED (RPM)											

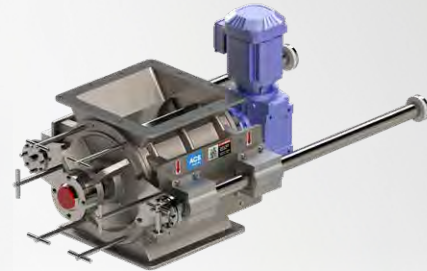
Capacities shown are based on 100% pocket-fill efficiency. Pocket-fill efficiencies vary by application. To ensure optimal efficiency, contact ACS Valves.

CI Series

with Quick-Clean RotorRail™

Rotary Valve for Metering, Feeding and Airlock Applications

Tool-less, single-step access to rotor and internal surfaces; simplifying cleaning, validation, and inspection.



SECTOR INDUSTRIES:



Plastics



Pet Food



Construction



Food



Pharmaceutical and Cosmetics



Chemical

FEATURES

- | | |
|--|---|
| <ul style="list-style-type: none"> • Tool-less, single-step access to rotor and internal surfaces; simplifying cleaning, validation, and inspection. | <ul style="list-style-type: none"> • Outboard bearing design protects bearings in high-temperature and high-PSIG applications; removes bearings from direct path of damaging contaminants. |
| <ul style="list-style-type: none"> • RotorRail™ feature maintains rotor and endplate alignment during dis-assembly; ensures fast and accurate rotor and endplate re-alignment during re-assembly. | <ul style="list-style-type: none"> • Easily manages pressure differentials up to 15 PSIG. |
| <ul style="list-style-type: none"> • Available in 9 heights, from 10"H to 44"H; and 9 flange inside diameters from 6" x 6" to 22" to 22". | <ul style="list-style-type: none"> • Excellent performance in high-temperature applications up to 500°F. |
| <ul style="list-style-type: none"> • CNC-machined components and housing provide precision tolerances; eliminates axial shaft movement, extends maintenance cycles. | <ul style="list-style-type: none"> • 8-vane rotor with beveled tips and sides. |
| | <ul style="list-style-type: none"> • Direct-drive motor package. |

SPECIFICATIONS:

INLET/OUTLET
FLANGE SIZES:

9 sizes from 6" to 22"

MATERIAL OF
CONSTRUCTION:

Cast Iron,
Stainless Steel

PRESSURE
DIFFERENTIAL:

Up to 15 PSIG

HIGH TEMPERATURE
RANGE:

500°F

CI Series

with Quick-Clean RotorRail™

Rotary Valve for Metering,
Feeding and Airlock Applications



OPTIONS

- | | |
|--|--|
| <ul style="list-style-type: none"> • 304, 304L, 316, 316L, or 2205 cast stainless steel valve housing. | <ul style="list-style-type: none"> • Shaft seal types: ACST-4™ glandless Teflon® shaft seal, and packing gland. |
| <ul style="list-style-type: none"> • No. 4 finish on internal product contact surfaces of housing, and all rotor surfaces. | <ul style="list-style-type: none"> • Valve housing vent ports. |
| <ul style="list-style-type: none"> • Interior coatings: hard chrome, tungsten, nickel, and epoxy. | <ul style="list-style-type: none"> • Shaft seal and rotor pocket air purge. |
| <ul style="list-style-type: none"> • Rotor types: closed-end, metering, shallow-pocket, adjustable-tip, and Teflon®-coated. | <ul style="list-style-type: none"> • 6-vane, 10-vane, or 12-vane rotor. |
| <ul style="list-style-type: none"> • Adjustable rotor tip types: EPDM rubber, polyurethane, mild steel, AR400 steel, stainless steel, and bronze. | <ul style="list-style-type: none"> • Custom drive packages. |
| | <ul style="list-style-type: none"> • Application-specific accessories: blow-through adapter, shear plate deflector, surge hopper, motion speed switch assembly. |

ROTARY VALVE CAPACITY (cubic feet/hour)

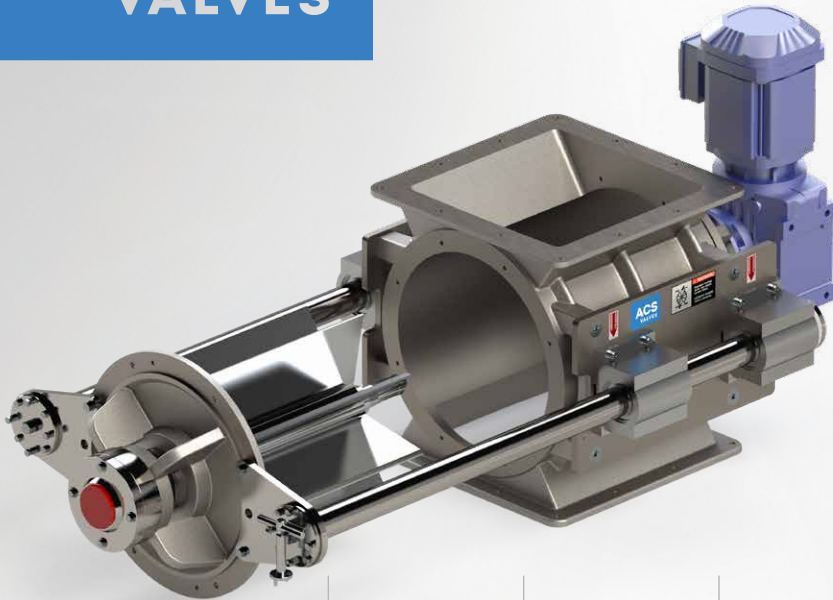
VALVE SIZE (INCHES)	6	6	30	48	60	72	84	96	108	120	132
	8	12	60	96	120	144	168	192	216	240	264
	10	24	120	192	240	288	336	384	432	480	528
	12	45	225	360	450	540	630	720	810	900	990
	14	66	330	528	660	792	924	1056	1188	1320	1452
	16	84	420	672	840	1008	1176	1344	1512	1680	1848
	16T	120	600	960	1200	1440	1680	1920	2160	2400	2640
	18	162	810	1296	1620	1944	2268	2592	2916	3240	3364
	22	276	1380	2208	2760	3312	3864	4416	4968	5520	6072
	1	5	8	10	12	14	16	18	20	22	
ROTARY SPEED (RPM)											

Capacities shown are based on 100% pocket-fill efficiency. Pocket-fill efficiencies vary by application. To ensure optimal efficiency, contact ACS Valves.

Sanitary CI Series

with **Quick-Clean RotorRail™**
Rotary Valve for Metering,
Feeding & Airlock Applications

The sanitary CI Series valves, with ACS RotorRail™ quick-clean design, also have multiple Run-Clean™ features that reduce material buildup inside the housing during operation.



SECTOR INDUSTRIES:



Plastics



Pet Food



Construction



Food



Pharmaceutical
and Cosmetics



Chemical

FEATURES

- | | | |
|---|--|--|
| <ul style="list-style-type: none"> • 304 or 316 stainless steel valve housing, cast in North America, ensures superior housing solidification and metallurgy; eliminates pits and dimples where contaminants could accumulate. | <ul style="list-style-type: none"> • RotorRail™ feature maintains rotor and endplate alignment during dis-assembly; ensures fast and accurate rotor and endplate re-alignment during re-assembly. | <ul style="list-style-type: none"> • Run-Clean™ features include: angled surfaces, rounded edges, and factory-applied internal coatings to reduce material buildup in the housing during operation. |
| <ul style="list-style-type: none"> • Product contact surfaces of the housing, and all rotor surfaces, are a No. 4 finish. | <ul style="list-style-type: none"> • CNC-machined components and housing provide precision tolerances; eliminates axial shaft movement, extends maintenance cycles. | <ul style="list-style-type: none"> • Outboard bearing design protects bearings in high-temperature and high-PSIG applications; removes bearings from direct path of damaging contaminants. |
| <ul style="list-style-type: none"> • Tool-less, single-step access to rotor and internal surfaces; simplifying cleaning, validation, and inspection. | <ul style="list-style-type: none"> • Available in 9 heights, from 10"H to 44"H; and 9 square-flange sizes from 6" to 22". | <ul style="list-style-type: none"> • Excellent performance in applications up to 500°F. |
| <ul style="list-style-type: none"> • Easily manages pressure differentials up to 15 PSIG. | <ul style="list-style-type: none"> • 8-vane rotor with beveled tips and sides. | |

SPECIFICATIONS:

INLET/OUTLET FLANGE SIZES:	MATERIAL OF CONSTRUCTION:	PRESSURE DIFFERENTIAL:	HIGH TEMPERATURE RANGE:
9 sizes from 6" to 22"	Stainless Steel	Up to 15 PSIG	500°F

Sanitary CI Series

with Quick-Clean RotorRail™



ACS VALVES

OPTIONS

- 304, 304L, 316, 316L, or 2205 cast stainless steel valve housing.
- No. 4 finish on internal product contact surfaces of housing, and all rotor surfaces.
- Rotor types: closed-end, metering, shallow-pocket, and Teflon®-coated.
- Shaft seal types: ACST-4™ glandless Teflon® shaft seal, and packing gland.
- Valve housing vent ports.
- Shaft seal and rotor pocket air purge.
- 6-vane or 10-vane.
- Custom drive packages.
- Application-specific accessories: blow-through adapter, shear plate deflector, surge hopper, motion speed switch assembly.

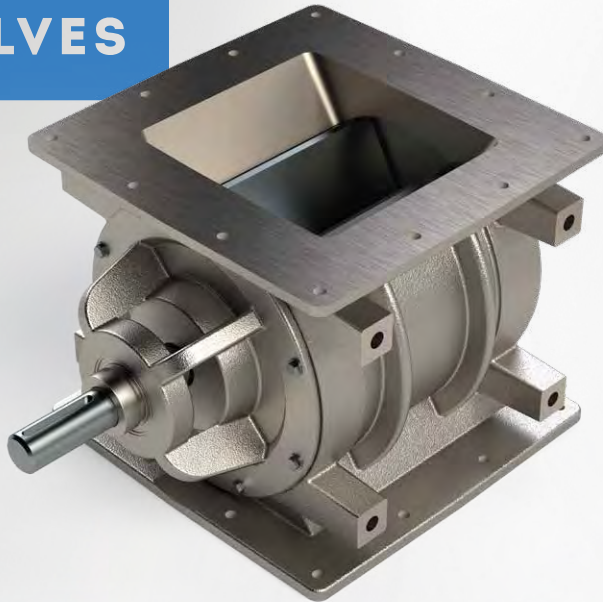
ROTARY VALVE CAPACITY (cubic feet/hour)

VALVE SIZE (INCHES)	6	6	30	48	60	72	84	96	108	120	132
	8	12	60	96	120	144	168	192	216	240	264
	10	24	120	192	240	288	336	384	432	480	528
	12	45	225	360	450	540	630	720	810	900	990
	14	66	330	528	660	792	924	1056	1188	1320	1452
	16	84	420	672	840	1008	1176	1344	1512	1680	1848
	16T	120	600	960	1200	1440	1680	1920	2160	2400	2640
	18	162	810	1296	1620	1944	2268	2592	2916	3240	3564
	22	276	1380	2208	2760	3312	3864	4416	4968	5520	6072
	1	5	8	10	12	14	16	18	20	22	
ROTARY SPEED (RPM)											

Capacities shown are based on 100% pocket-fill efficiency. Pocket-fill efficiencies vary by application. To ensure optimal efficiency, contact ACS Valves.

XTR-CI Series

Corrosion-resistant Rotary Valve for Abrasive or Acidic Materials



The XTR-CI Series valve boasts high corrosion resistance with the same efficient, high-performance design of our popular square-flange CI Series rotary valve. It is specially outfitted to excel in any pressure pneumatic conveying system that requires food-grade product contact.



Need it in round flange? Check out our XTR-MD.

SECTOR INDUSTRIES:



Plastics



Pet Food



Construction



Food



Pharmaceutical and Cosmetics



Chemical

FEATURES

- Cast iron housing and endplates coated with XTR-Coat, a chemically-resistant coating.
- Resists wear and corrosion from chemicals, acid and abrasive material.
- XTR-Coat also prevents material sticking and buildup on valve surfaces.
- USDA and FDA compliant.
- 304 stainless steel rotor machined with precision for tight tolerances.
- Rated for great performance in operating temperatures up to 500°F.
- Handles pressure differentials up to 15 PSIG.

ACS now offers XTR-Coat synergistic coatings to maximize performance in a variety of applications. XTR-Coat finishes provide wear and corrosion protection, reduced friction and non-stick performance. XTR-Coat finishes are a high-performance, non-toxic and FDA-compliant alternative to industrial chrome plating.

- Available sizes: Square flange 8" through 16".
- Expedites cleaning and sanitation operations; works well in washdown duty environments.
- Non-stick, food-grade properties for sugar, flour, pet food and other food processing applications.
- Dry-lubricity.
- Non-porous, moisture-proof surfaces and mold release.

SPECIFICATIONS:

INLET/OUTLET
FLANGE SIZES:

Square flange 8" to 16"

MATERIAL OF
CONSTRUCTION:

Cast Iron, XTR-Coat

PRESSURE
DIFFERENTIAL:

Up to 15 PSIG

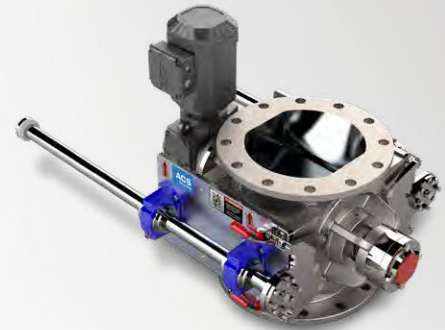
HIGH TEMPERATURE
RANGE:

500°F

MD Series

Rotary Valve for Metering, Feeding and Airlock Applications

The MD Series valves, with ACS RotorRail™ quick-clean design, provide tool-less, single-step access to rotor and internal surfaces.



SECTOR INDUSTRIES:



Plastics



Pet Food



Construction



Food



Pharmaceutical and Cosmetics



Chemical

FEATURES

- | | |
|---|--|
| <ul style="list-style-type: none"> Available in 7 heights, from 7 3/8"H to 23 1/2"H; and 7 flange diameters from 4" to 16". | <ul style="list-style-type: none"> Easily manages pressure differentials up to 15 PSIG; with super-duty series up to 22 PSIG. |
| <ul style="list-style-type: none"> Valve housing cast in North America; ensures superior strength and solidification of housing's metallurgy. | <ul style="list-style-type: none"> Excellent performance in high-temperature applications up to 750°F. |
| <ul style="list-style-type: none"> CNC-machined components and housing provide precision tolerances; eliminates axial shaft movement, extends maintenance cycles. | <ul style="list-style-type: none"> Cast iron housing. |
| <ul style="list-style-type: none"> Outboard bearing design protects bearings in high-temperature and high-PSIG applications; removes bearings from direct path of damaging contaminants. | <ul style="list-style-type: none"> 8-vane rotor with beveled tips and sides. |

SPECIFICATIONS:

INLET/OUTLET FLANGE SIZES:

7 sizes from 4" to 16"

MATERIAL OF CONSTRUCTION:

Cast Iron, Stainless Steel

PRESSURE DIFFERENTIAL:

Up to 22 PSIG

HIGH TEMPERATURE RANGE:

750°F

MD Series

Rotary Valve for Metering,
Feeding and Airlock Applications



OPTIONS

- | | |
|--|--|
| <ul style="list-style-type: none"> • 304 or 316 cast stainless steel valve housing. | <ul style="list-style-type: none"> • Shaft seal types: ACST-4™ glandless Teflon® shaft seal, and packing gland. |
| <ul style="list-style-type: none"> • RotorRail™ feature provides tool-less access to rotor and internal surfaces; speeds cleaning and inspection; ensures fast, accurate rotor and endplate re-alignment. | <ul style="list-style-type: none"> • Valve housing vent ports. |
| <ul style="list-style-type: none"> • No. 4 finish on internal product contact surfaces of housing, and all rotor surfaces. | <ul style="list-style-type: none"> • Shaft seal and rotor pocket air purge. |
| <ul style="list-style-type: none"> • Interior coatings: hard chrome, tungsten, nickel, and epoxy. | <ul style="list-style-type: none"> • 6-vane, 10-vane, or 12-vane rotor. |
| <ul style="list-style-type: none"> • Rotor types: closed-end, metering, shallow-pocket, adjustable-tip, and Teflon®-coated. | <ul style="list-style-type: none"> • Custom drive packages. |
| <ul style="list-style-type: none"> • Adjustable rotor tip types: EPDM rubber, polyurethane, AR400 steel, stainless steel, and bronze. | <ul style="list-style-type: none"> • Application-specific accessories: blow-through adapter, shear plate deflector, surge hopper, motion speed switch assembly. |

ROTARY VALVE CAPACITY (cubic feet/hour)

VALVE SIZE (INCHES)	4	2	8	12	15	18	21	24	27	30	33
	6	6	30	48	60	72	84	96	108	120	132
	8	12	60	96	120	144	168	192	216	240	264
	10	24	120	192	240	288	336	384	432	480	528
	12	45	225	360	450	540	630	720	810	900	990
	14	66	330	528	660	792	924	1056	1188	1320	1452
	16	84	420	672	840	1008	1176	1344	1512	1680	1848
	1	5	8	10	12	14	16	18	20	22	
ROTARY SPEED (RPM)											

Capacities shown are based on 100% pocket-fill efficiency. Pocket-fill efficiencies vary by application. To ensure optimal efficiency, contact ACS Valves.

MD Series with Quick-Clean RotorRail™

Rotary Valve for Metering, Feeding and Airlock Applications

Tool-less, single-step access to rotor and internal surfaces; simplifying cleaning, validation, and inspection.



SECTOR INDUSTRIES:



Plastics



Pet Food



Construction



Food



Pharmaceutical
and Cosmetics



Chemical

FEATURES

- | | |
|---|---|
| <ul style="list-style-type: none"> • Tool-less, single-step access to rotor and internal surfaces; simplifying cleaning, validation, and inspection. | <ul style="list-style-type: none"> • Outboard bearing design protects bearings in high-temperature and high-PSIG applications; removes bearings from direct path of damaging contaminants. |
| <ul style="list-style-type: none"> • RotorRail™ feature maintains rotor and endplate alignment during disassembly; ensures fast and accurate rotor and endplate re-alignment during re-assembly. | <ul style="list-style-type: none"> • Easily manages pressure differentials up to 15 PSIG. |
| <ul style="list-style-type: none"> • Available in 7 heights, from 10 5/8"H to 18 3/8"H; and 7 flange inside diameters from 4" to 15". | <ul style="list-style-type: none"> • Excellent performance in high-temperature applications up to 500°F. |
| <ul style="list-style-type: none"> • CNC-machined components and housing provide precision tolerances; eliminates axial shaft movement, extends maintenance cycles. | <ul style="list-style-type: none"> • 8-vane rotor with beveled tips and sides. |
| | <ul style="list-style-type: none"> • Direct-drive motor package. |

SPECIFICATIONS:

INLET/OUTLET
FLANGE SIZES:

7 sizes from 4" to 15"

MATERIAL OF
CONSTRUCTION:

Cast Iron,
Stainless Steel

PRESSURE
DIFFERENTIAL:

Up to 15 PSIG

HIGH TEMPERATURE
RANGE:

500°F

MD Series

with Quick-Clean RotorRail™

Rotary Valve for Metering,
Feeding and Airlock Applications



ACS VALVES

OPTIONS

- | | |
|--|--|
| <ul style="list-style-type: none"> • 304, 304L, 316, 316L, or 2205 cast stainless steel valve housing. | <ul style="list-style-type: none"> • Shaft seal types: ACST-4™ glandless Teflon® shaft seal, and packing gland. |
| <ul style="list-style-type: none"> • No. 4 finish on internal product contact surfaces of housing, and all rotor surfaces. | <ul style="list-style-type: none"> • Valve housing vent ports. |
| <ul style="list-style-type: none"> • Interior coatings: hard chrome, tungsten, nickel, and epoxy. | <ul style="list-style-type: none"> • Shaft seal and rotor pocket air purge. |
| <ul style="list-style-type: none"> • Rotor types: closed-end, metering, shallow-pocket, adjustable-tip, and Teflon®-coated. | <ul style="list-style-type: none"> • 6-vane, 10-vane, or 12-vane rotor. |
| <ul style="list-style-type: none"> • Adjustable rotor tip types: EPDM rubber, polyurethane, mild steel, AR400 steel, stainless steel, and bronze. | <ul style="list-style-type: none"> • Custom drive packages. |
| | <ul style="list-style-type: none"> • Application-specific accessories: blow-through adapter, shear plate deflector, surge hopper, motion speed switch assembly. |

ROTARY VALVE CAPACITY (cubic feet/hour)

VALVE SIZE (INCHES)	4	2	8	12	15	18	21	24	27	30	33
	6	6	30	48	60	72	84	96	108	120	132
	8	12	60	96	120	144	168	192	216	240	264
	10	24	120	192	240	288	336	384	432	480	528
	12	45	225	360	450	540	630	720	810	900	990
	14	66	330	528	660	792	924	1056	1188	1320	1452
	16	84	420	672	840	1008	1176	1344	1512	1680	1848
	1	5	8	10	12	14	16	18	20	22	
ROTARY SPEED (RPM)											

Capacities shown are based on 100% pocket-fill efficiency. Pocket-fill efficiencies vary by application. To ensure optimal efficiency, contact ACS Valves.

Sanitary MD Series

with Quick-Clean RotorRail™

Rotary Valve for Metering, Feeding
and Airlock Applications

The MD Series valves, with ACS RotorRail™ quick-clean design, provide tool-less, single-step access to rotor and internal surfaces.



SECTOR INDUSTRIES:



Plastics



Pet Food



Construction



Food



Pharmaceutical
and Cosmetics



Chemical

FEATURES

- | | |
|--|---|
| <ul style="list-style-type: none"> Stainless steel valve housing, cast in North America, ensures superior housing solidification and metallurgy; eliminates pits and dimples where contaminants could accumulate. | <ul style="list-style-type: none"> CNC-machined components and housing provide precision tolerances; eliminates axial shaft movement, extends maintenance cycles. |
| <ul style="list-style-type: none"> Product contact surfaces of the housing, and all rotor surfaces, are a No. 4 finish. | <ul style="list-style-type: none"> Outboard bearing design protects bearings in high-temperature and high-PSIG applications; removes bearings from direct path of damaging contaminants. |
| <ul style="list-style-type: none"> Tool-less, single-step access to rotor and internal surfaces; simplifying cleaning, validation, and inspection. | <ul style="list-style-type: none"> Easily manages pressure differentials up to 15 PSIG. |
| <ul style="list-style-type: none"> RotorRail™ feature maintains rotor and endplate alignment during dis-assembly; ensures fast and accurate rotor and endplate re-alignment during re-assembly. | <ul style="list-style-type: none"> Excellent performance in high-temperature applications up to 500°F. |
| <ul style="list-style-type: none"> Available in 7 heights, from 7 3/8"H to 23"H; and 7 flange inside diameters from 4" to 15". | <ul style="list-style-type: none"> 8-vane rotor with beveled tips and sides. |
| | <ul style="list-style-type: none"> Direct-drive motor package. |

SPECIFICATIONS:

INLET/OUTLET
FLANGE SIZES:

7 sizes from 4" to 15"

MATERIAL OF
CONSTRUCTION:

Stainless Steel

PRESSURE
DIFFERENTIAL:

Up to 15 PSIG

HIGH TEMPERATURE
RANGE:

500°F

Sanitary MD Series

with Quick-Clean RotorRail™



OPTIONS

- 304, 304L, 316, 316L, or 2205 cast stainless steel valve housing.
- No. 4 finish on internal product contact surfaces of housing, and all rotor surfaces.
- Rotor types: closed-end, metering, shallow-pocket, and Teflon®-coated.
- Shaft seal types: ACST-4™ glandless Teflon® shaft seal, and packing gland.
- Valve housing vent ports.
- Shaft seal and rotor pocket air purge.
- 6-vane or 10-vane.
- Custom drive packages.
- Application-specific accessories: blow-through adapter, shear plate deflector, surge hopper, motion speed switch assembly.

ROTARY VALVE CAPACITY (cubic feet/hour)

VALVE SIZE (INCHES)	4	2	8	12	15	18	21	24	27	30	33
	6	6	30	48	60	72	84	96	108	120	132
	8	12	60	96	120	144	168	192	216	240	264
	10	24	120	192	240	288	336	384	432	480	528
	12	45	225	360	450	540	630	720	810	900	990
	14	66	330	528	660	792	924	1056	1188	1320	1452
	16	84	420	672	840	1008	1176	1344	1512	1680	1848
	1	5	8	10	12	14	16	18	20	22	
ROTARY SPEED (RPM)											

Capacities shown are based on 100% pocket-fill efficiency. Pocket-fill efficiencies vary by application. To ensure optimal efficiency, contact ACS Valves.

XTR-MD Series

Corrosion-resistant Rotary Valve for Abrasive or Acidic Materials



The XTR-MD Series valve boasts high corrosion resistance with the same efficient, high-performance design of our popular round-flange MD Series rotary valve. Its unique properties are ideal for any pressure pneumatic conveying system that requires food-grade product contact.



**Need it in square flange?
Check out our XTR-CI.**

SECTOR INDUSTRIES:



Plastics



Pet Food



Construction



Food



Pharmaceutical
and Cosmetics



Chemical

FEATURES

- Cast iron housing and endplates coated with XTR-Coat, a chemically-resistant coating.
- Resists wear and corrosion from chemicals, acid and abrasive material.
- XTR-Coat also prevents material sticking and buildup on valve surfaces.
- USDA and FDA compliant.
- Rated for great performance in operating temperatures up to 500°F.
- Handles pressure differentials up to 15 PSIG.
- Available sizes: Round flange 4" through 16".

ACS now offers XTR-Coat synergistic coatings to maximize performance in a variety of applications. XTR-Coat finishes provide wear and corrosion protection, reduced friction and non-stick performance. XTR-Coat finishes are a high-performance, non-toxic and FDA-compliant alternative to industrial chrome plating.

- Expedites cleaning and sanitation operations; works well in washdown duty environments.
- Non-stick, food-grade properties for sugar, flour, pet food and other food processing applications.
- Dry-lubricity.
- Non-porous, moisture-proof surfaces and mold release.

SPECIFICATIONS:

INLET/OUTLET
FLANGE SIZES:

Round flange 4" to 16"

MATERIAL OF
CONSTRUCTION:

Cast Iron, XTR-Coat

PRESSURE
DIFFERENTIAL:

Up to 15 PSIG

HIGH TEMPERATURE
RANGE:

500°F

12" Multi-Port Series

Multi-compartment rotary valve for higher-volume applications or split-line conveying feeds

Separate airlock compartments for improved efficiency, uptime and NFPA compliance. Ideal for high volumes of free-flowing granular material or situations where multiple independent feeds are needed.



SECTOR INDUSTRIES:



Plastics



Pet Food



Construction



Food



Pharmaceutical and Cosmetics



Chemical

FEATURES

- Trough-style openings can be designed to fit dust collectors, hoppers, bins, silos and screw conveyors.
- Higher capacity with a smaller overall height for tight space engineered solutions.
- Tighter clearances enable NFPA compliance despite larger capacity outputs (since NFPA clearances can be challenging in larger airlocks).
- With independent drives, issues or a breakdown in one compartment can be contained and allow other compartments to continue operating.
- Common parts in a unique housing mean no special maintenance requirements. Spare parts are readily available (whereas spares for larger airlocks can have a longer lead time).
- Separate airlock compartments allow for intermittent feeds – two, three or four rotors can run simultaneously or independently for multi-line feeds.
- More compact design than other valves of its kind, which reduces stack-up in silos and dust collectors.
- Direct drives in each compartment allow for independent operation.

OPTIONS

- Use to break up large pneumatic conveying systems into smaller, more manageable systems.
- Can be equipped with one elongated blow-through adapter to feed one system or multiple blow-through adapters for different line feeds.
- Equip with one large pressure blower package or several smaller ones for multiple systems.

SPECIFICATIONS:

INLET/OUTLET
3 FLANGE SIZES:

Multi-Port 12 x 24 RAL, 1.42 C.F.R.
Multi-Port 12 x 36 RAL, 2.13 C.F.R.
Multi-Port 12 x 48 RAL, 2.84 C.F.R.

MATERIAL OF
CONSTRUCTION:

Cast Iron,
Stainless Steel

PRESSURE
DIFFERENTIAL:

Up to 20 PSIG

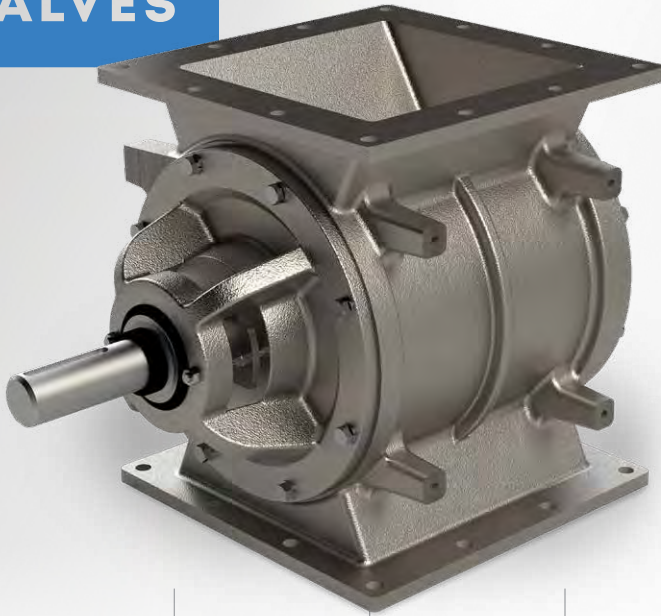
HIGH TEMPERATURE
RANGE:

450°F Max.

DR-S Series

Rotary Valve for Metering, Feeding and Airlock Applications

The DR-S Series valves are built to application-specific requirements, including: custom rotor configurations, factory-applied internal coatings, and sanitary materials of construction.



SECTOR INDUSTRIES:



Plastics



Pet Food



Construction



Food



Pharmaceutical and Cosmetics



Chemical

FEATURES

- Pre-fit Performance™ housings provide all of the in-use advantages built into every ACS valve, plus the assurance of precise alignment and fast installation when replacing competitive valves.
- Available in 4 heights, from 12"H to 24"H; and 4 flange sizes from 7 5/8"H to 16"H.
- Valve housing cast in North America; ensures superior strength and solidification of housing's metallurgy.
- CNC-machined components and housing provide precision tolerances; eliminates axial shaft movement, extends maintenance cycles.
- Outboard bearing design protects bearings in high-temperature and high-PSIG applications; removes bearings from direct path of damaging contaminants.
- Large shaft diameter eliminates rotor deflection; reduces rotor tip wear and bearing seal leakage.
- Easily manages pressure differentials up to 15 PSIG; super-duty series up to 22 PSIG.
- Excellent performance in high-temperature applications up to 750°F.
- Cast iron housing.
- 8-vane rotor with beveled tips and sides.

SPECIFICATIONS:

INLET/OUTLET
FLANGE SIZES:

4 sizes from 7 5/8"
to 16"

MATERIAL OF
CONSTRUCTION:

Cast Iron,
Stainless Steel

PRESSURE
DIFFERENTIAL:

Up to 22 PSIG

HIGH TEMPERATURE
RANGE:

750°F

DR-S Series

Rotary Valve for Metering,
Feeding and Airlock Applications



ACS
VALVES

OPTIONS

- | | |
|---|--|
| <ul style="list-style-type: none"> • 304 or 316 cast stainless steel valve housing. | <ul style="list-style-type: none"> • Rotor types: closed-end, shallow-pocket, and adjustable-tip. |
| <ul style="list-style-type: none"> • No. 4 finish on internal product contact surfaces of housing, and all rotor surfaces. | <ul style="list-style-type: none"> • Adjustable rotor tip types: EPDM rubber, polyurethane, AR400 steel, and stainless steel. |
| <ul style="list-style-type: none"> • Interior coating: hard chrome tungsten. | <ul style="list-style-type: none"> • Shaft seal types: ACST-4™ glandless Teflon® shaft seal, and packing gland. |

ROTARY VALVE CAPACITY (cubic feet/hour)

VALVE SIZE (INCHES)	8	10	51	82	102	122	143	163	184	204	224
	10	20	102	163	204	245	286	326	367	408	449
	12	37	183	293	366	439	512	586	659	732	805
	16	120	600	960	1200	1440	1680	1920	2160	2400	2640
	1	5	8	10	12	14	16	18	20	22	
	ROTARY SPEED (RPM)										

Capacities shown are based on 100% pocket-fill efficiency. Pocket-fill efficiencies vary by application. To ensure optimal efficiency, contact ACS Valves.

Aero-FlowTM Series

**Improve consistency.
Optimize energy consumption.**

The Aero-Flow Series valves are built to application-specific requirements, including: custom rotor configurations, factory-applied internal coatings, and sanitary materials of construction.



SECTOR INDUSTRIES:



Plastics



Pet Food



Construction



Food



Pharmaceutical and Cosmetics



Chemical

FEATURES

- | | |
|---|---|
| <ul style="list-style-type: none"> For high bulk density materials; a proprietary, dual-induction endplate design introduces pressurized air from both endplates into rotor pockets to provide highly efficient, air-assisted material introduction. | <ul style="list-style-type: none"> Air-sealed shaft extends bearing life; reduces maintenance. |
| <ul style="list-style-type: none"> Available in 4 heights, from 17 1/2"H to 21 1/8"H; and 4 flange sizes from 6 5/8" x 6 3/4" to 25 1/4 x 12". | <ul style="list-style-type: none"> Valve housing vent ports. |
| <ul style="list-style-type: none"> Valve housing cast in North America; ensures superior strength and solidification of housing's metallurgy. | <ul style="list-style-type: none"> Easily manages pressure differentials up to 20 PSIG. |
| <ul style="list-style-type: none"> Cast iron housing. | <ul style="list-style-type: none"> Excellent performance in high-temperature applications up to 500°F. |
| <ul style="list-style-type: none"> CNC-machined components and housing provide precision tolerances; eliminates axial shaft movement, extends maintenance cycles. | <ul style="list-style-type: none"> 12-vane rotor with beveled tips and sides. |

SPECIFICATIONS:

INLET/OUTLET FLANGE SIZES:

4 sizes from 6 5/8" x 6 3/4" x 25 1/4" x 12"

MATERIAL OF CONSTRUCTION:

Cast Iron, Stainless Steel

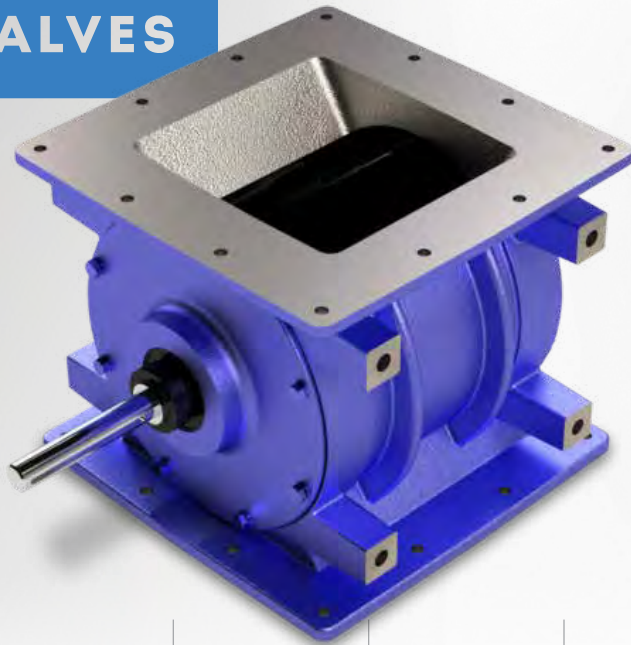
PRESSURE DIFFERENTIAL:

Up to 20 PSIG

HIGH TEMPERATURE RANGE:

750°F

ACS VALVES

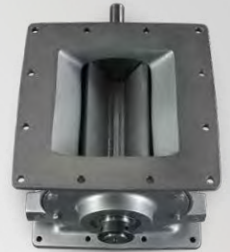


Product Specifications

DC Series

Rotary Valve for Dust Collection, Feeding, & Metering Applications

The DC Series valves are built to application-specific requirements, including: custom rotor configurations, factory-applied internal coatings, and sanitary materials of construction.



SECTOR INDUSTRIES:



Plastics



Pet Food



Construction



Food



Pharmaceutical
and Cosmetics



Chemical

FEATURES

- Available in 3 heights, from 10 1/2"H to 15 1/2"H; and 3 square-flange sizes from 8" to 12".
- Valve housing cast in North America; ensures superior strength and solidification of housing's metallurgy.
- CNC-machined components and housing provide precision tolerances; eliminates axial shaft movement, extends maintenance cycles.
- Excellent performance in high-temperature applications up to 250°F.
- Cast iron housing.
- 6-vane rotor with beveled tips and sides.
- Compact, direct-drive motor package.

SPECIFICATIONS:

INLET/OUTLET
FLANGE SIZES:

3 sizes from 8" to 12"

MATERIAL OF
CONSTRUCTION:

Cast Iron,
Stainless Steel

PRESSURE
DIFFERENTIAL:

-

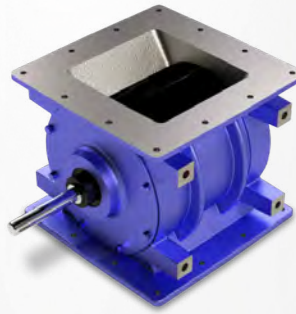
HIGH TEMPERATURE
RANGE:

250°F

Product Specifications

DC Series

Rotary Valve for Dust Collection, Feeding, & Metering Applications



ACS
VALVES

ROTARY VALVE CAPACITY (cubic feet/hour)

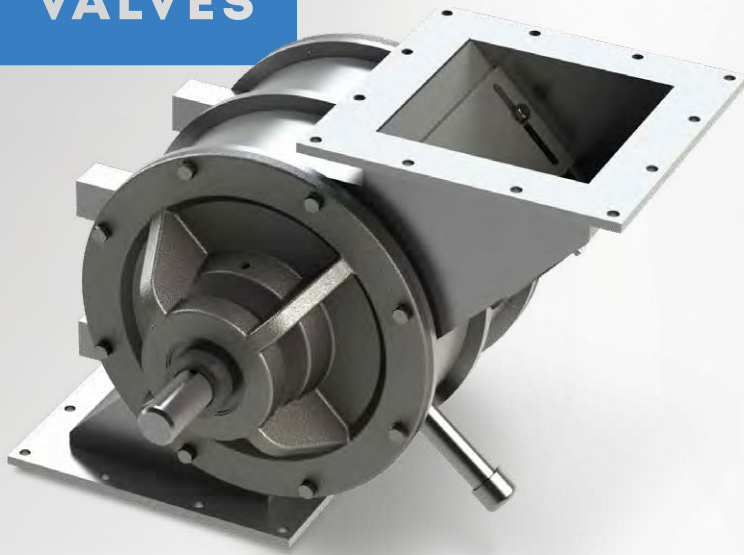
VALVE SIZE (INCHES)	8	12	60	96	120	144	168	192	216	240	264
	10	24	120	192	240	288	336	384	432	480	528
	12	45	225	360	450	540	630	720	810	900	990
	1	5	8	10	12	14	16	18	20	22	
	ROTARY SPEED (RPM)										

Capacities shown are based on 100% pocket-fill efficiency. Pocket-fill efficiencies vary by application. To ensure optimal efficiency, contact ACS Valves.

S-Pellet Series

Rotary Valve for Metering, Feeding, and Airlock Applications

For handling of material such as pellets, beads, and granules that require protection from shearing; side inlet with adjustable material flow control ensures accurate rotor pocket filling without material shearing.



SECTOR INDUSTRIES:



Plastics



Pet Food



Construction



Food



Pharmaceutical
and Cosmetics



Chemical

FEATURES

- Available in 6 heights, from 14"H to 26"H; and 6 flange diameters from 6" to 16".
- Valve housing fabricated of mild steel.
- CNC-machined components and housing provide precision tolerances; eliminates axial shaft movement, extends maintenance cycles.
- Outboard bearing design protects bearings in high-temperature and high-PSIG applications; removes bearings from direct path of damaging contaminants.
- Easily manages pressure differentials up to 15 PSIG.

- Excellent performance in high-temperature applications up to 750°F.
- Cast iron housing.
- 8-vane rotor with beveled tips and sides.

SPECIFICATIONS:

INLET/OUTLET
FLANGE SIZES:

6 sizes from 6" to 16"

MATERIAL OF
CONSTRUCTION:

Cast Iron,
Stainless Steel

PRESSURE
DIFFERENTIAL:

Up to 15 PSIG

HIGH TEMPERATURE
RANGE:

750°F

S-Pellet Series



OPTIONS

- | | |
|--|--|
| <ul style="list-style-type: none"> • 304 or 316 cast stainless steel valve housing. | <ul style="list-style-type: none"> • Shaft seal types: ACST-4™ glandless Teflon® shaft seal, and packing gland. |
| <ul style="list-style-type: none"> • 6 square-flange sizes from 6" to 15". | <ul style="list-style-type: none"> • Valve housing vent ports. |
| <ul style="list-style-type: none"> • RotorRail™ feature provides tool-less access to rotor and internal surfaces; speeds cleaning and inspection; ensures fast, accurate rotor and endplate re-alignment. | <ul style="list-style-type: none"> • Shaft seal and rotor pocket air purge. |
| <ul style="list-style-type: none"> • Interior coatings: hard chrome and tungsten. | <ul style="list-style-type: none"> • 10-vane, 12-vane, and custom rotor designs. |
| <ul style="list-style-type: none"> • Rotor types: closed-end, shallow-pocket, adjustable-tip, and Teflon®-coated. | <ul style="list-style-type: none"> • Custom drive packages. |
| <ul style="list-style-type: none"> • Adjustable rotor tip types: EPDM rubber, polyurethane, hardened steel, stainless steel, and bronze. | <ul style="list-style-type: none"> • Application-specific accessories: blow-through adapter, shear plate deflector, surge hopper, motion speed switch assembly. |

ROTARY VALVE CAPACITY (cubic feet/hour)

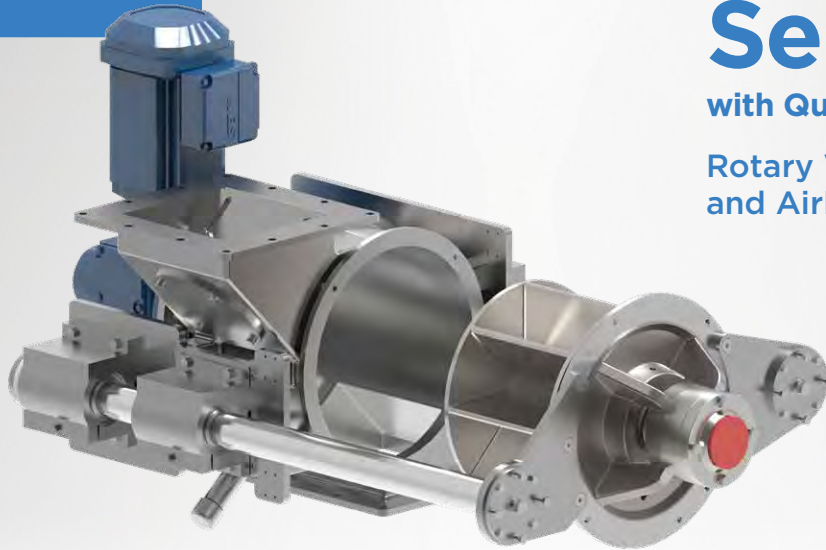
VALVE SIZE (INCHES)	6	14	71	114	142	171	199	228	256	284	313
	8	26	132	211	264	317	370	422	475	528	581
	10	54	270	432	540	648	756	864	972	1080	1188
	12	84	420	672	840	1008	1176	1344	1512	1680	1848
	14	144	570	912	1140	1368	1596	1824	2052	2280	2508
	16	186	930	1488	1860	2232	2604	2976	3348	3720	4092
	1	5	8	10	12	14	16	18	20	22	
	ROTARY SPEED (RPM)										

Capacities shown are based on 100% pocket-fill efficiency. Pocket-fill efficiencies vary by application. To ensure optimal efficiency, contact ACS Valves.

S-Pellet Series

with Quick-Clean RotorRail™

Rotary Valve for Metering, Feeding
and Airlock Applications



SECTOR INDUSTRIES:



Plastics



Pet Food



Construction



Food



Pharmaceutical
and Cosmetics



Chemical

FEATURES

- | | |
|--|---|
| <ul style="list-style-type: none"> For handling of material such as pellets, beads, and granules that require protection from shearing; side-inlet with adjustable material flow control ensures accurate rotor pocket filling without material shearing. | <ul style="list-style-type: none"> CNC-machined components and housing provide precision tolerances; eliminates axial shaft movement, extends maintenance cycles. |
| <ul style="list-style-type: none"> Tool-less, single-step access to rotor and internal surfaces; simplifying cleaning, validation, and inspection. | <ul style="list-style-type: none"> Outboard bearing design protects bearings in high-temperature and high-PSIG applications; removes bearings from direct path of damaging contaminants. |
| <ul style="list-style-type: none"> RotorRail™ feature maintains rotor and endplate alignment during dis-assembly; ensures fast and accurate rotor and endplate re-alignment during re-assembly. | <ul style="list-style-type: none"> Easily manages pressure differentials up to 15 PSIG. |
| <ul style="list-style-type: none"> Available in 5 heights, from 14"H to 26"H; and 5 flange diameters from 6" to 14". | <ul style="list-style-type: none"> Excellent performance in high-temperature applications up to 750°F. |
| <ul style="list-style-type: none"> Valve housing fabricated of mild steel. | <ul style="list-style-type: none"> Cast iron housing. |
| | <ul style="list-style-type: none"> 8-vane rotor with beveled tips and sides. |

SPECIFICATIONS:

INLET/OUTLET
FLANGE SIZES:

5 sizes from 6" to 14"

MATERIAL OF
CONSTRUCTION:

Cast Iron,
Stainless Steel

PRESSURE
DIFFERENTIAL:

Up to 15 PSIG

HIGH TEMPERATURE
RANGE:

750°F

S-Pellet Series

with Quick-Clean RotorRail™



OPTIONS

- | | |
|--|--|
| <ul style="list-style-type: none"> • 304 or 316 cast stainless steel valve housing. | <ul style="list-style-type: none"> • Valve housing vent ports. |
| <ul style="list-style-type: none"> • 5 square-flange sizes from 6" to 14". | <ul style="list-style-type: none"> • Shaft seal and rotor pocket air purge. |
| <ul style="list-style-type: none"> • Interior coatings: hard chrome and tungsten. | <ul style="list-style-type: none"> • 10-vane, 12-vane, and custom rotor designs. |
| <ul style="list-style-type: none"> • Rotor types: closed-end, shallow-pocket, adjustable-tip, and Teflon®-coated. | <ul style="list-style-type: none"> • Custom drive packages. |
| <ul style="list-style-type: none"> • Adjustable rotor tip types: EPDM rubber, polyurethane, AR400 steel, stainless steel, and bronze. | <ul style="list-style-type: none"> • Application-specific accessories: blow-through adapter, shear plate deflector, surge hopper, motion speed switch assembly. |
| <ul style="list-style-type: none"> • Shaft seal types: ACST-4™ glandless Teflon® shaft seal, and packing gland. | |

ROTARY VALVE CAPACITY: FLANGE DESIGN (cubic feet/hour)

VALVE SIZE (INCHES)	6	14	71	114	142	171	199	228	256	284	313
	8	26	132	211	264	317	370	422	475	528	581
	10	54	270	432	540	648	756	864	972	1080	1188
	12	84	420	672	840	1008	1176	1344	1512	1680	1848
	14	114	570	912	1140	1368	1596	1824	2052	2280	2508
	1	5	8	10	12	14	16	18	20	22	
	ROTARY SPEED (RPM)										

Capacities shown are based on 100% pocket-fill efficiency. Pocket-fill efficiencies vary by application. To ensure optimal efficiency, contact ACS Valves.

BT Series

Rotary Valve for Metering and Airlock Applications

The BT Series valves ensure optimal bulk density and throughput of hard-to-convey material; a return-side vent vents leaked air, maximizing air flow through the rotor, improving material flow.



SECTOR INDUSTRIES:



Plastics



Pet Food



Construction



Food



Pharmaceutical and Cosmetics



Chemical

FEATURES

- 12-vane rotary valve and return-side vent port design significantly reduce air leakage and ensure optimal bulk density and material feed efficiency of hard-to-convey materials.
- Steep-angled inlet flange aids material infeed; improves material flow performance.
- Available in 2 heights, 16.14"H and 18.50"H; and 2 flange diameters, 8" to 10".
- Valve housing cast in North America; ensures superior strength and solidification of housing's metallurgy.

- CNC-machined components and housing provide precision tolerances; eliminates axial shaft movement, extends maintenance cycles.
- Outboard bearing design protects bearings in high-temperature and high-PSIG applications; removes bearings from direct path of damaging contaminants.
- Easily manages pressure differentials up to 20 PSIG.
- Excellent performance in high-temperature applications up to 500°F.

SPECIFICATIONS:

**INLET/OUTLET
FLANGE SIZES:**

2 sizes, 8" and 10"

**MATERIAL OF
CONSTRUCTION:**

Cast Iron,
Stainless Steel

**PRESSURE
DIFFERENTIAL:**

Up to 20 PSIG

**HIGH TEMPERATURE
RANGE:**

500°F

Product Specifications

BT Series

Rotary Valve for Metering
and Airlock Applications



ACS
VALVES

OPTIONS

- 304 or 316 cast stainless steel valve housing.
- No. 4 finish on all rotor surfaces.
- Interior coating: hard chrome.
- Adjustable rotor tips.
- Custom drive packages.
- Application-specific accessories: motion speed switch assembly.

SD Series

Rotary Valve for Metering
and Airlock Applications



SECTOR INDUSTRIES:



Plastics



Pet Food



Construction



Food



Pharmaceutical
and Cosmetics



Chemical

FEATURES

- | | |
|--|---|
| <ul style="list-style-type: none"> • Available in 4 heights, from 10"H to 18 1/4"H; and 4 square-flange sizes from 6" to 12". | <ul style="list-style-type: none"> • Excellent performance in high-temperature applications up to 250°F. |
| <ul style="list-style-type: none"> • This ACS Valves Pre-fit Performance™ Series valve enables simple and fast drop-in replacement of Meyer® type SD rotary valves. | <ul style="list-style-type: none"> • Cast iron housing. |
| <ul style="list-style-type: none"> • Valve housing cast in North America; ensures superior strength and solidification of housing's metallurgy. | <ul style="list-style-type: none"> • 6-vane or 8-vane rotor with beveled tips and sides. |
| <ul style="list-style-type: none"> • CNC-machined components and housing provide precision tolerances; eliminates axial shaft movement, extends maintenance cycles. | <ul style="list-style-type: none"> • Direct-drive motor package. |

SPECIFICATIONS:

INLET/OUTLET
FLANGE SIZES:

4 sizes from 6" to 12"

MATERIAL OF
CONSTRUCTION:

Cast Iron,
Stainless Steel

PRESSURE
DIFFERENTIAL:

-

HIGH TEMPERATURE
RANGE:

250°F

Product Specifications

SD Series

Rotary Valve for Metering and Airlock Applications



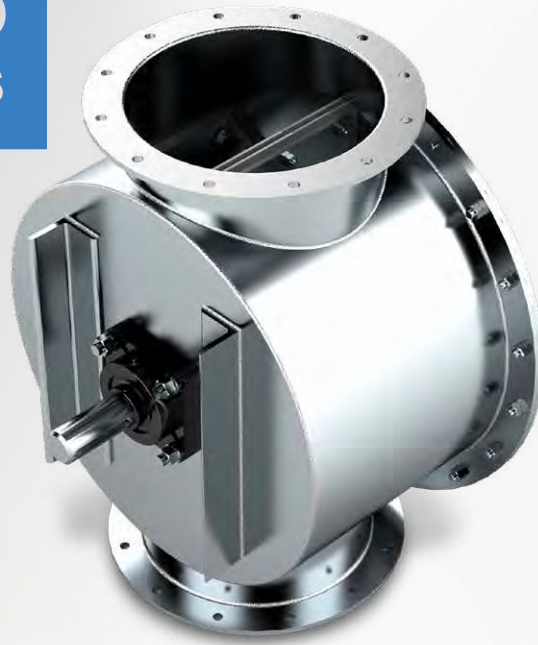
ROTARY VALVE CAPACITY (cubic feet/hour)

VALVE SIZE (INCHES)	6	6	30	48	60	72	84	96	108	120	132
	8	10	51	82	102	122	143	163	184	204	224
	10	20	102	163	204	245	286	326	367	408	449
	12	37	183	293	366	439	512	586	659	732	805
	1	5	8	10	12	14	16	18	20	22	
	ROTARY SPEED (RPM)										

Capacities shown are based on 100% pocket-fill efficiency. Pocket-fill efficiencies vary by application. To ensure optimal efficiency, contact ACS Valves.

FT Series

Rotary Valve for Feeding and Metering Applications



SECTOR INDUSTRIES:



Plastics



Pet Food



Construction



Food



Pharmaceutical
and Cosmetics



Chemical

FEATURES

- Available in 9 heights, from 13" to 61 1/2"; and 10 flange diameters from 4" to 30".
- Rotor with flex-tip wiper vanes produces static pressures up to 18" WG.
- EPDM synthetic wiper vanes resist material abrasion; extend maintenance cycles.
- Industrial-duty housing constructed of mild steel; housing sideplate removes for easy access.
- Direct-drive, right-angle gearmotor provides reliable operation.
- Excellent performance in applications up to 200°F.

SPECIFICATIONS:

INLET/OUTLET
FLANGE SIZES:

10 sizes from 4" to 30"
or custom

MATERIAL OF
CONSTRUCTION:

Mild Steel,
Stainless Steel

PRESSURE
DIFFERENTIAL:

Up to 18" WG

HIGH TEMPERATURE
RANGE:

500°F

FT Series

Rotary Valve for Feeding and Metering Applications



OPTIONS

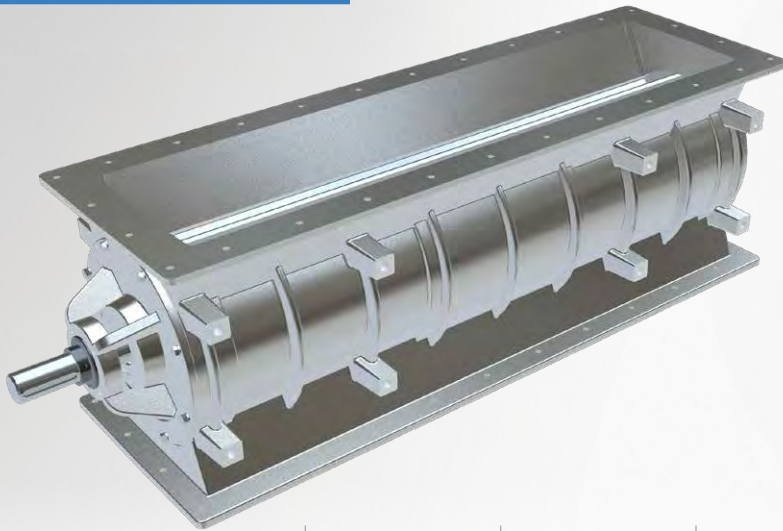
- Square flange design: available in 9 sizes from 4" to 30"; custom sizes available.
- 304 or 316 stainless steel housing construction.
- Wiper types: polyurethane or EPDM; standard or extended tip; dual-rotor wiper blades.
- High-temperature performance, up to 500°F.
- Custom motor types and configurations.

ROTARY VALVE CAPACITY (cubic feet/hour)

VALVE SIZE (INCHES)	4	.10
	6	.23
	8	.64
	10	1.34
	12	2.46
	14	6.2
	16	6.2
	20	12.6
	24	21.0
30	42.4	

DTFV Series (Discharge Trough Feeder Valve)

Rotary Valve for Feeding
and Metering Applications



SECTOR INDUSTRIES:



Plastics



Pet Food



Construction



Food



Pharmaceutical
and Cosmetics



Chemical

FEATURES

- For high-volume material handling applications where short-length screw conveyors or conventional rotary valve material handling capacities are not sufficient.
- Valve housing cast in North America; ensures superior strength and solidification of housing's metallurgy, prevents housing distortion.
- CNC-machined components and housing provide precision tolerances; eliminates axial shaft movement, extends maintenance cycles.
- Outboard bearing design protects bearings in high-temperature and high-PSIG applications; removes bearings from direct path of damaging contaminants.
- Large shaft diameter eliminates rotor deflection; reduces rotor tip wear and bearing seal leakage.
- ACST-4™ glandless Teflon® shaft seal; reduces maintenance and protects bearings from wear.
- Cast iron housing.
- 6-vane or 8-vane rotor with beveled tips and sides.
- TEFC geared motor, side-wall mounted to valve body; with chain drive and safety enclosure.

SPECIFICATIONS:

INLET/OUTLET
FLANGE SIZES:

3 sizes, 12" x 24"
to 12" x 48"

MATERIAL OF
CONSTRUCTION:

Cast Iron,
Stainless Steel

PRESSURE
DIFFERENTIAL:

-

HIGH TEMPERATURE
RANGE:

450°F

DTFV Series (Discharge Trough Feeder Valve)



OPTIONS

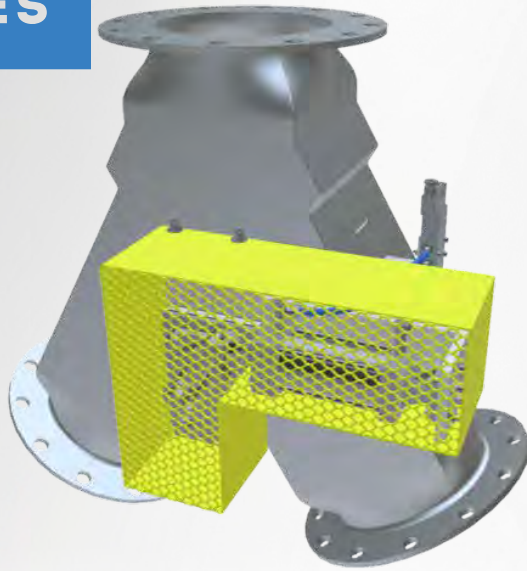
- Valve housing material types: 304 or 316 cast stainless steel.
- Interior coating: hard chrome.
- Rotor material types: 304 or 316 stainless steel.
- Adjustable rotor tip types: AR400 steel, 304 or 316 stainless steel.
- Direct-drive motor package.

ROTARY VALVE CAPACITY (cubic feet/hour)

VALVE SIZE (INCHES)	12"x24"	78	390	624	780	936	1092	1248	1404	1560	1716
	12"x36"	102	510	816	1020	1224	1428	1632	1836	2040	2244
	12"x48"	135	675	1080	1350	1620	1890	2160	2430	2700	2970
		1	5	8	10	12	14	16	18	20	22
	ROTARY SPEED (RPM)										

Gravity Diverter Valve Y-style Series

For Feeding and
Metering Applications



SECTOR INDUSTRIES:



Plastics



Pet Food



Construction



Food



Pharmaceutical
and Cosmetics



Chemical

FEATURES

- 2-way, Y-style, gravity diverter valve provides automated control of bulk material flow direction; improves efficiency of material feeding and loading operations.
- Available in 4 heights, from 16 5/16"H to 24"H, and 4 square-flange sizes from 6" to 12".
- Available in 30-degree or 45-degree outlet angles.
- 10 ga. carbon steel housing construction; heavy-duty carbon steel flappers with neoprene seal strips and carbon steel seats.
- Air control package includes solenoid, fittings, and tubing; pre-assembled and ready for start-up.
- Excellent performance in high-temperature applications up to 500°F.

SPECIFICATIONS:

**INLET/OUTLET
FLANGE SIZES:**

4 sizes from 6" to 12"
or custom

**MATERIAL OF
CONSTRUCTION:**

Carbon Steel,
Stainless Steel

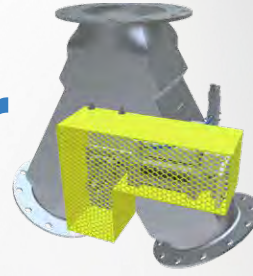
**PRESSURE
DIFFERENTIAL:**

Up to 30" WG

**HIGH TEMPERATURE
RANGE:**

500°F

Gravity Diverter Valve



ACS
VALVES

For Feeding and Metering Applications

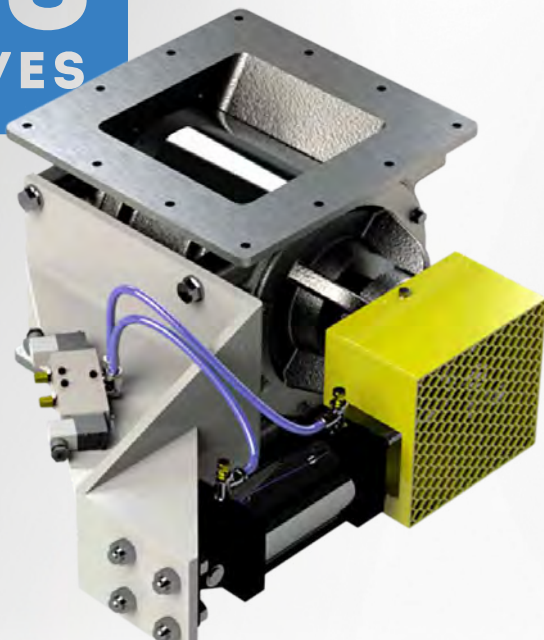
OPTIONS

- Round flange design: available in 4 heights, from 24 7/16"H to 31 7/16"H, and 4 flange diameters from 6" to 12".
- Custom outlet angle construction, specific to application requirement.
- Valve housing and flapper construction: 304 or 316 stainless steel, carbon steel, or aluminum.
- Abrasion-resistant steel flappers.
- Manual actuator.
- Dual, side-access panels for easy reach into internal housing areas; or single, removable back panel.
- NEMA 4 timer; 115-50/60-1 electrical; power-on light; on/off switch; timer configuration to operate up to 6 valves.

CI-RPV Series

Rotary Valve for Feeding and Metering Applications

Rotary plug valve (RPV) design provides highly accurate, controlled feeding of very free-flowing, abrasive, and high bulk density materials; excellent dust control design.



SECTOR INDUSTRIES:



Plastics



Pet Food



Construction



Food



Pharmaceutical
and Cosmetics



Chemical

FEATURES

- Rotary plug valve (RPV) design provides highly accurate, controlled feeding of very free-flowing, abrasive, and high bulk density materials; excellent dust control design.
- Air-actuated clam-style rotor enables rapid material flow control and exceptional air handling efficiency in high-pressure differential applications.
- Air control package includes solenoid, fittings, and tubing; pre-assembled and ready for start-up.
- Available in 5 heights, from 10"H to 19"H; and 5 square-flange sizes from 6" to 14".
- Valve housing and endplates cast in North America; ensures superior strength and solidification of metallurgy; air cylinder mount fabricated of mild steel.
- CNC-machined components and housing provide precision tolerances; eliminates axial shaft movement.
- Heavy-plate chrome interior.

SPECIFICATIONS:

INLET/OUTLET
FLANGE SIZES:

5 sizes from 6" to 14"

MATERIAL OF
CONSTRUCTION:

Cast Iron,
Stainless Steel

PRESSURE
DIFFERENTIAL:

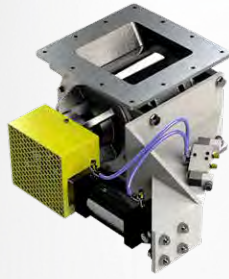
-

HIGH TEMPERATURE
RANGE:

750°F

Product Specifications

CI-RPV Series



ACS
VALVES

Rotary Valve for Feeding and Metering Applications

OPTIONS

- 304 or 316 cast stainless steel valve housing.
- Interior coating: hard chrome.
- Actuator types: electrical or manual.

ACS VALVES

Product Specifications

Mini 19 Series

Rotary Valve for Feeding and Metering Applications

The Mini 19 Series valves are built to application-specific requirements, including: custom rotor configurations, factory-applied internal coatings, and sanitary materials of construction.



SECTOR INDUSTRIES:



Plastics



Pet Food



Construction



Food



Pharmaceutical and Cosmetics



Chemical

FEATURES

- Available in 2 heights of 5" and 6"; and 2 square-flange sizes of 2" and 3".
- CNC-machined components and housing provide precision tolerances; eliminates axial shaft movement, extends maintenance cycles.
- 6-vane rotor with beveled tips and sides.
- Metering ranges available for all sizes: .0006 through .0233 CFR.

OPTIONS

- 304 or 316 stainless steel valve housing.
- 2 round-flange diameters of 2" and 3".
- Rotor types: closed-end, metering, shallow-pocket.
- Valve housing vent ports.
- Shaft seal and rotor pocket air purge.
- 4-vane, 8-vane, metering-style rotors.
- Custom drive packages.
- Application-specific accessories:
 - blow-through adapter
 - shear plate deflector
 - surge hopper
 - motion speed switch assembly

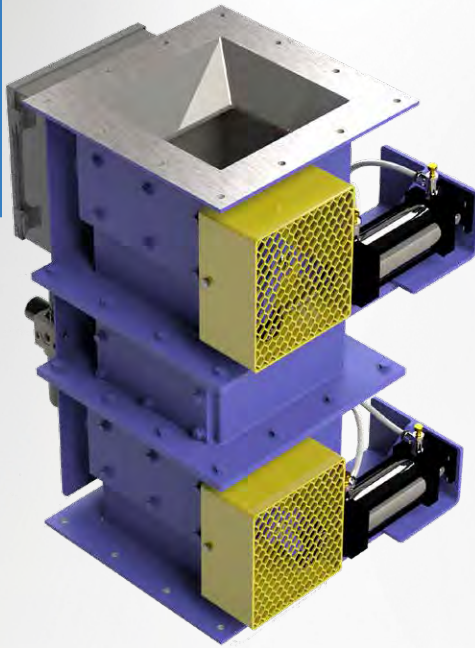
SPECIFICATIONS:

INLET/OUTLET FLANGE SIZES:

2 sizes, 2" and 3" round or square

MATERIAL OF CONSTRUCTION:

Carbon Steel, Stainless Steel



Product Specifications

Double-Flap Valve Series

Rotary Valve for Feeding and Metering Applications

SECTOR INDUSTRIES:



Plastics



Pet Food



Construction



Food



Pharmaceutical and Cosmetics



Chemical

FEATURES

- Available in 3 heights, from 28 3/4"H to 40 1/4"H; and 6 square-flange sizes from 6" to 16"
- 10 ga. carbon steel housing construction; heavy-duty carbon steel flappers with neoprene seal strips and carbon steel seats.
- High-capacity material chamber with inspection door improves material transfer volume.
- Pneumatic operation, ships ready for start-up, including: complete factory assembled solenoid valve, timer, filter regulator, flow control valve, lubricator, and regulator.
- Excellent performance in high-temperature applications up to 500°F.

OPTIONS

- 304 or 316 stainless steel, or special heavy-duty valve housing and flapper construction.
- Single-flap design.
- Abrasion-resistant steel flappers
- NEMA 4 timer; 115-50/60-1 electrical; power-on light; on/off switch; timer configuration to operate up to 6 valves

ROTARY VALVE CAPACITY (cubic feet/hour)

VALVE SIZE (INCHES)	6	50
	8	100
	10	200
	12	350
	14	600
	16	790
		ROTARY SPEED (RPM)

Capacities shown are based on 100% pocket-fill efficiency. Pocket-fill efficiencies vary by application. To ensure optimal efficiency, contact ACS Valves.

SPECIFICATIONS

INLET/OUTLET FLANGE SIZES:

6 sizes from 6" to 16" or custom

MATERIAL OF CONSTRUCTION:

Carbon Steel, Stainless Steel

PRESSURE DIFFERENTIAL:

Up to 30" WG

HIGH TEMPERATURE RANGE:

500°F

CDC-CI Series

Rotary Valve for Metering, Feeding, and Airlock Applications



SECTOR INDUSTRIES:



Plastics



Pet Food



Construction



Food



Pharmaceutical and Cosmetics



Chemical

FEATURES

- Available in 3 heights, from 16 1/2" to 25"; and 3 flange diameters from 8" to 12".
- This ACS Valves Pre-fit Performance™ Series valve enables simple and fast drop-in replacement of Carter Day® type CI rotary valves.
- Large housing barrel enables 3-times more material throughput (CFR) than conventional valve housings with same flange opening.
- Valve housing cast in North America; ensures superior strength and solidification of housing's metallurgy.
- CNC-machined components and housing provide precision tolerances; eliminates axial shaft movement, extends maintenance cycles.
- Easily manages pressure differentials up to 15 PSIG.
- Excellent performance in high-temperature applications up to 500°F.
- Cast iron housing.
- 8-vane rotor, complete with beveled tips and sides.
- Unique shaft seal design results in lowered maintenance and downtime costs.
- Round flanges aid material flow, improve cleaning.

SPECIFICATIONS:

INLET/OUTLET FLANGE SIZES:	MATERIAL OF CONSTRUCTION:	PRESSURE DIFFERENTIAL:	HIGH TEMPERATURE RANGE:
3 sizes from 8" to 12"	Cast Iron, Stainless Steel	Up to 15 PSIG	500°F

CDC-CI Series



ACS
VALVES

OPTIONS

- 304 or 316 cast stainless steel valve housing.
- Interior coatings: hard chrome, tungsten, and nickel.
- Rotor types: closed-end, shallow-pocket, adjustable-tip, and Teflon®-coated.
- Adjustable rotor tip types: EPDM rubber, polyurethane, hardened steel, stainless steel, and bronze.
- Shaft seal types: ACST-4™ glandless Teflon® shaft seal, and packing gland.
- Valve housing vent ports.
- 6-vane, 10-vane, or 12-vane rotor.
- Direct-drive and custom drive packages.
- Application-specific accessories: blow-through adapter, shear plate deflector, surge hopper, motion speed switch assembly.

Sanitary CDC-CI Series

Rotary Valve for Metering/ Feeding and Airlock Applications

The Sanitary CDC-CI series drop-in valve is designed for applications that require very high-volume material throughput. It features an enlarged housing barrel and comes in cast-iron, 304 or 316 stainless steel for increased sanitation.



SECTOR INDUSTRIES:



Plastics



Pet Food



Construction



Food



Pharmaceutical
and Cosmetics



Chemical

FEATURES

- | | | |
|---|--|---|
| <ul style="list-style-type: none"> 304 or 316 stainless steel valve housing, cast in North America, ensures superior housing solidification and metallurgy; eliminates pits and dimples where contaminants could accumulate. | <ul style="list-style-type: none"> Product contact surfaces of the housing, and all rotor surfaces, are a No. 4 finish. | <ul style="list-style-type: none"> Easily manages pressure differentials up to 15 PSIG. |
| <ul style="list-style-type: none"> This ACS Valves Pre-fit Performance™ Series valve enables simple and fast drop-in replacement of Carter Day® type CI rotary valves. | <ul style="list-style-type: none"> Available in 3 heights, from 16 1/2" to 25"; and 3 flange diameters from 8" to 12". | <ul style="list-style-type: none"> Excellent performance in high-temperature applications up to 500°F. |
| <ul style="list-style-type: none"> Large housing barrel enables 3-times more material throughput (CFR) than conventional valve housings with same flange opening. | <ul style="list-style-type: none"> Valve housing cast in North America; ensures superior strength and solidification of housing's metallurgy. | <ul style="list-style-type: none"> 8-vane rotor, complete with beveled tips and sides. |
| | <ul style="list-style-type: none"> CNC-machined components and housing provide precision tolerances; eliminates axial shaft movement, extends maintenance cycles. | <ul style="list-style-type: none"> Unique shaft seal design results in lowered maintenance and downtime costs. |
| | | <ul style="list-style-type: none"> Round flanges aid material flow, improve cleaning. |

SPECIFICATIONS:

INLET/OUTLET
FLANGE SIZES:

3 sizes from 8" to 12"

MATERIAL OF
CONSTRUCTION:

Stainless Steel

PRESSURE
DIFFERENTIAL:

Up to 15 PSIG

HIGH TEMPERATURE
RANGE:

500°F

Sanitary CDC-CI Series



ACS
VALVES

OPTIONS

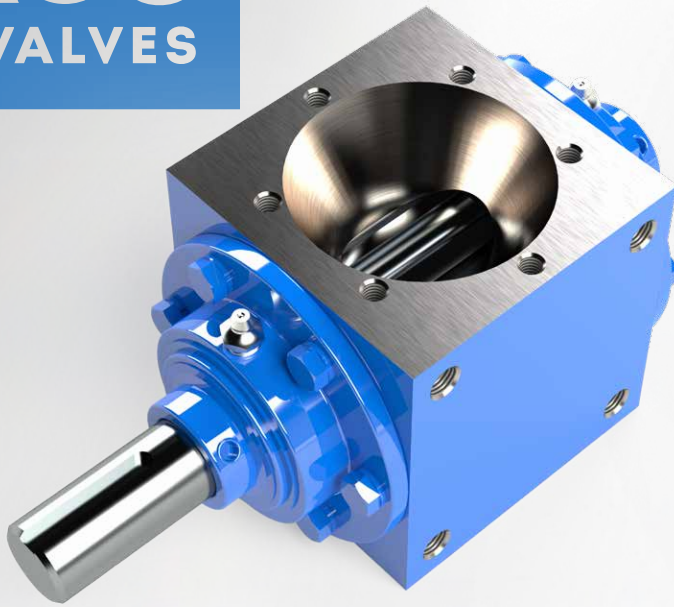
- No. 4 finish on internal product contact surfaces of housing, and all rotor surfaces.
- Rotor types: closed-end, shallow-pocket, and Teflon®-coated.
- Shaft seal types: ACST-4™ glandless Teflon® shaft seal, and packing gland.
- Valve housing vent ports.
- 6-vane, 10-vane, or 12-vane rotor.

- Direct-drive and custom drive packages.
- Application-specific accessories: blow-through adapter, shear plate deflector, surge hopper, motion speed switch assembly.

Micro-ingredient Valve

Low capacity metering for bulk ingredients

The micro-ingredient valve from ACS Valves is designed for testing pilot conveying equipment, and for accurately metering small amounts of fine-grained material into larger batches.



SECTOR INDUSTRIES:



Plastics



Pet Food



Construction



Food



Pharmaceutical
and Cosmetics



Chemical

FEATURES

- Mild Steel, 4140, Aluminum or Stainless construction
- Round inlet & outlets standard
- Metering style rotors only
- Lip seal type shaft seal
- 0.16 HP Direct drive package
- Rotor pocket purge connection
- Rounded rotor pockets

- Metering ranges available for all sizes: .0005 through .00238 CFR
- Airlock
- Direct-drive arrangement
- Compact design
- Accurate rates
- Easy installation

SPECIFICATIONS:

INLET/OUTLET
FLANGE SIZES:

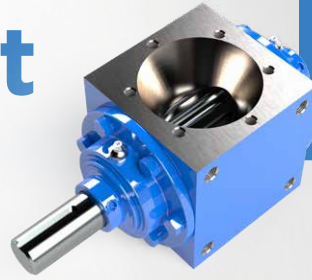
1.5" to 3"

MATERIAL OF
CONSTRUCTION:

Aluminium,
Stainless Steel

Micro-ingredient Valve

Low capacity metering for bulk ingredients



ACS VALVES

OPTIONS

- | | |
|--|---------------------------------|
| • High temperature designs, bearings, seals & clearances | • Square inlet |
| • Housing vent port | • Sanitary grade |
| • 1 1/2", 2", 2 1/2" and 3" inlet and outlet available | • Open-pocket rotor |
| • Tungsten-coated rotor | • Chain drive for 20 RPM output |
| | • Tungsten-coated interior |

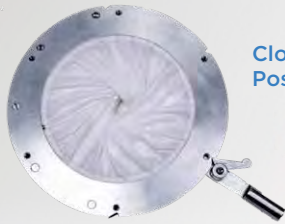
VALVE SIZE (inches)

1.5"
2"
2.5"
3"

Iris Gravity Valve

Manual control for gravity-flow applications

Control the flow of powders, granules, flakes, crystals and more in production equipment like bulk bag unloaders, hoppers, bins, dryers, blenders and vertical pipe lines.



Closed Position

SECTOR INDUSTRIES:



Plastics



Pet Food



Construction



Food



Chemical

Features

- Available in 8 sizes, from 4" to 18".
- Double-locking diaphragm rotates 180 degrees for added security.
- Fixed bottom flange allows for easy use in down-line equipment.
- Polyurethane-coated nylon diaphragm.

Options

- Available in aluminum alloy and stainless steel.

SPECIFICATIONS:

DIAPHRAGM MATERIAL:

PU-coated Nylon

MATERIAL OF CONSTRUCTION:

Aluminum Alloy, Stainless Steel

SIZE RANGE

8 sizes from 4" to 18"