



SUPPORT YOUR PROCESS

Valve Kits

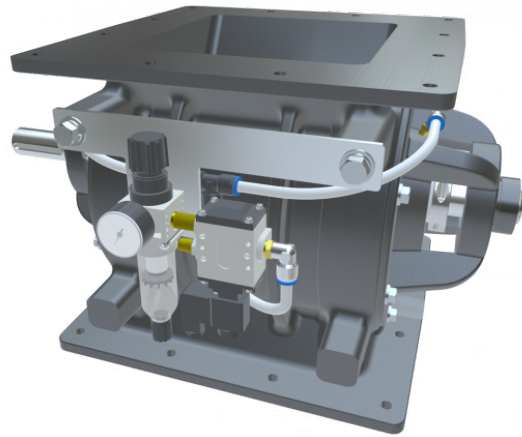
Concerned about material flow, conveying speed or worker safety? We have a kit for that. Browse rotary valve kits to keep your line moving smoothly.

SHAFT SEAL AIR PURGE KIT

Provides compressed air to the shaft seals and keeps them clear of material buildup.

STANDARD ASSEMBLY

- NEMA 4/4X solenoid valve
- Filter/regulator
- Pressure gauge
- Poly tubing
- Fittings



ROTOR POCKET AIR PURGE KIT

Provides compressed air to the rotor pockets (for open-end rotors) or the endplate cavity (for closed-end rotors) to prevent material buildup.

STANDARD ASSEMBLY

- NEMA 4/4X solenoid valve
- Filter/regulator
- Pressure gauge
- Poly tubing
- Fittings



COMBINATION SHAFT SEAL AND ROTOR POCKET AIR PURGE KIT

Provides compressed air to the shaft seals and airlock rotors, keeping both areas clear of material buildup.

STANDARD ASSEMBLY

- Filter/regulator
- Pressure gauge
- Poly tubing
- Fittings



ZERO SPEED SWITCH KIT

Uses a sensing device to monitor shaft speed and signal when the shaft stops rotating.

STANDARD ASSEMBLY

- Motion Switch
- Target
- Bracket
- Guard



SHAFT GUARD KIT

Covers exposed areas of the rotating shaft, including shaft seal areas and the tail side endplate.

FEATURES

- Safety feature
- Optional hole for grease nipple to bearing
- Painted yellow with a warning decal

